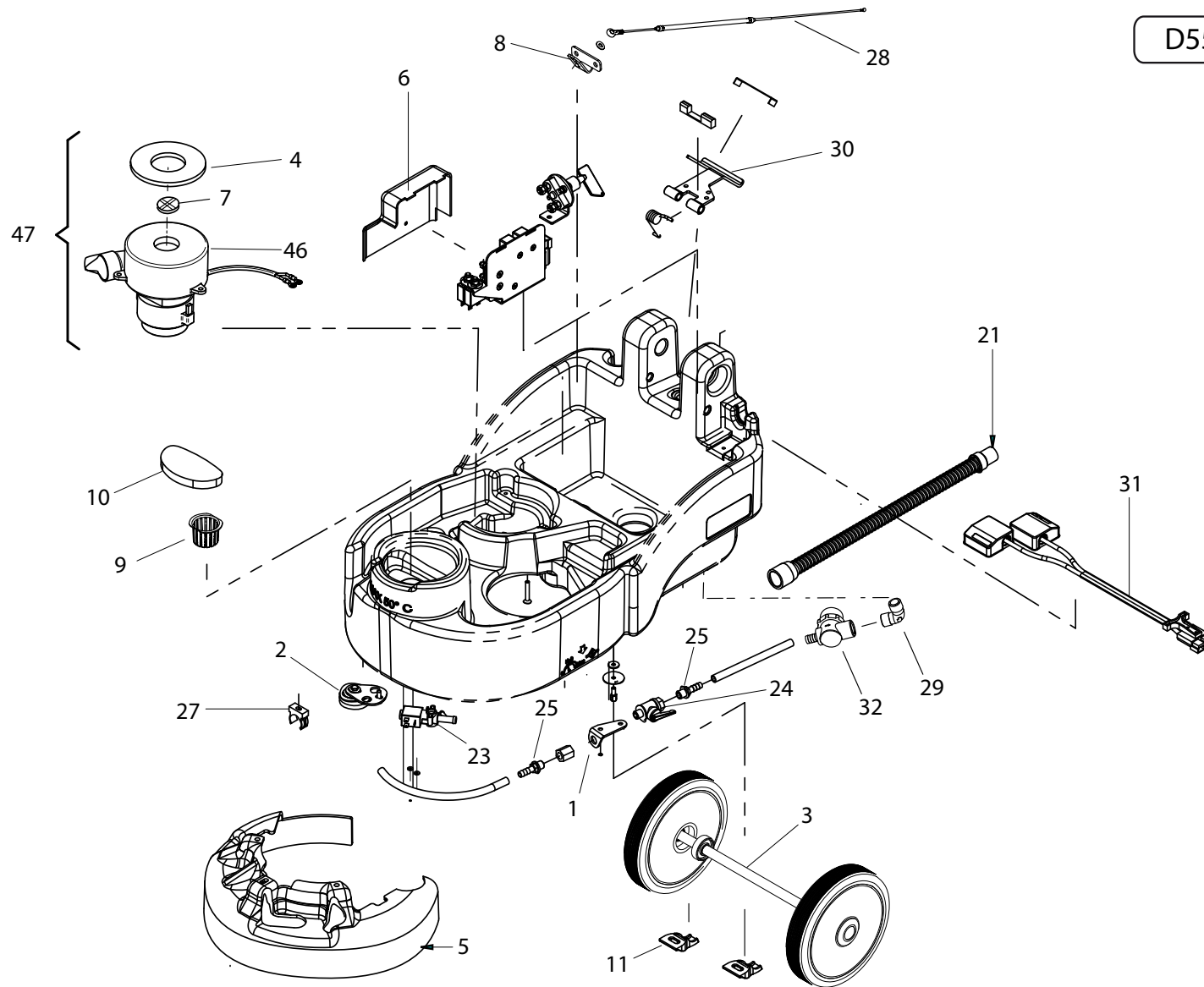


D55090036/01



Pos.	Code	Substituted by	Q.ty	Purchasable	Min. Q.ty	For mainten.	Description
0	R34990392		1	No			CABLAGGIO FLICK-QUICK 36B
0	R55111397		1	No			ASSIEME ASSE RUOTE
001	4.507.1123		1	Yes	1		WATER VALVE SUPPORT
002	5.511.1407		1	Yes	1		BUMPER WHEEL SUPPORT COMPLETE
003	5.511.1397		1	Yes	1		WHEEL SHAFT ASSEMBLY
004	4.508.0123		1	Yes	2		SUCTION MOTOR GASKET
005	4.513.0375		1	Yes	1		BRUSH CARTER
006	4.513.0380		1	Yes	1		RELE PROTECTION CARTER
007	4.508.0518		1	Yes	6		PROTECTION
008	4.507.1251		1	Yes	1		SQUEEGEE LIFT CABLE SUPPORT
009	4.508.1064		1	Yes	12	ORD	DETERGENT TANK FILTER FOR SWIFT/FLICK
010	4.508.0739		1	Yes	12		SPONGE FILTER
011	4.508.0689		2	Yes	12		FIXING WHEEL AXLE - SWIFT B
021	3.752.0190		1	Yes	1	EXT	VAC HOSE
023	3.412.0028		1	Yes	1	EXT	SOLENOID VALVE
024	3.105.0012		1	Yes	1		VALVE
025	3.100.0340		2	Yes	6		HOSE FITTING UNION G1/4 D10
027	3.099.1409		1	Yes	12		CLIPS
028	3.099.1459		1	Yes	1	EXT	SQUEEGEE LIFT CABLE COMPLETE
029	3.100.0357		1	Yes	2		ELBOW 1/2"M 1/2"M
030	5.513.0230		1	Yes	1	EXT	HANDLE LOCK PEDAL
031	3.499.0393		1	Yes	1		MAIN WIRING
032	3.102.0020		1	Yes	1	ORD	WATER FILTER 1/2G D.13
046	3.755.0116		1	Yes	1	EXT	MOTORE ASPIR. 12V 180W BISTADIO SCARICO TANG.
047	5.511.1399		1	Yes	1	EXT	VAC MOTOR ASSEMBLY